

**ARLIEGH BURKE CLASS  
#1 SSGTG 14<sup>th</sup> STAGE BLEED AIR PIPING  
REMOVABLE INSULATION BLANKET COVERS**



**HULLS 51 - 67  
AG9130 and 9130 MODERNIZED**

REMOVABLE INSULATION BLANKETS  
FOR #1 SSGTG 14<sup>th</sup> STAGE BLEED AIR PIPING

1 EACH PN: 23051380-1 INSIDE MODULE

1 EACH PN: 23051380-2 INSIDE MODULE

S9311-CQ-MMA-A40 / TABLE 7-104

S9311-CQ-MMA-B40 / TABLE 7-104

# HULLS 68 and follow AG9140 HF and AG9140 RF

OUTSIDE MODULE BLANKETS CAN BE PURCHASED  
SEPARATELY FOR ADDITIONAL INFORMATION  
CONTACT SAN DIEGO SEAL

## REMOVABLE INSULATION BLANKETS

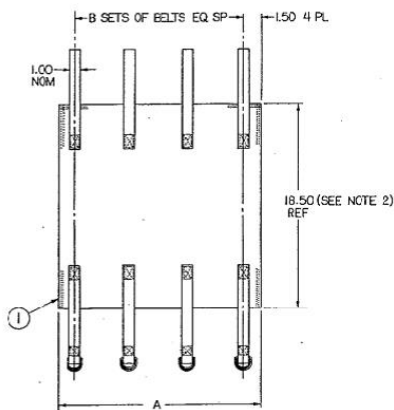
### FOR #1 SSGTG 14th STAGE BLEED AIR PIPING

1 EACH PN: 23051380-1 INSIDE MODULE

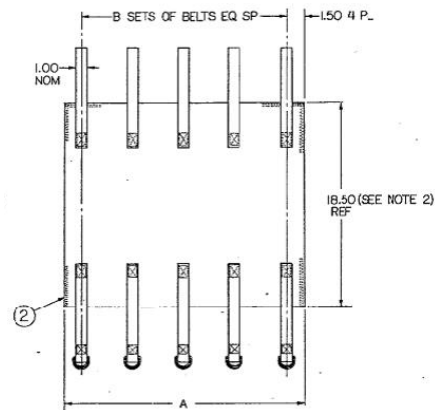
1 SET PN: 23059432 OUTSIDE MODULE

S9311-C6-MMO-A40 / FIGURE 7-109

S9311-DK-MMA-040 / FIGURE 7-106



PN: 23051380-1  
19" LENGTH



PN: 23051380-2  
22" LENGTH

## MATERIALS OF CONSTRUCTION

OUTER JACKET and BELTING: 17oz TEFLON (PTFE) IMPREGNATED FIBERGLASS FABRIC

INSULATION: 1" THK FIBERGLASS

INNER LINER: 18oz FIBERGLASS CLOTH

LINER: .011 STAINLESS STEEL MESH

FASTENING: D-RING 304 STAINLESS STEEL



## **SAN DIEGO SEAL, INC.**

7635 RONSON ROAD • SAN DIEGO, CALIFORNIA 92111

TEL: 858-278-3270 • FAX: 858-278-2950

E-MAIL: [sales@sandiegoseal.com](mailto:sales@sandiegoseal.com) • VISIT US AT: [www.sandiegoseal.com](http://www.sandiegoseal.com)

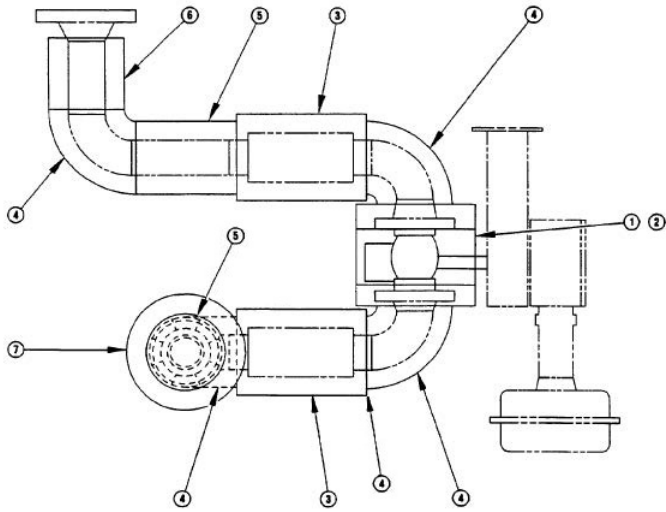


FIGURE 7-110 BLEED AIR SYSTEM ASSEMBLY and INSTALLATION

9140 HF OUTSIDE INSULATION BLANKETS			
Figure 7-110 Index no.	Part number	Description	Qty
7-110	23059432	INSULATION SET	1
-1 / -2	23059432-1	BLEED AIR BODY BLANKET/ BLEED AIR VALVE END CAP BLANKET	1
-3	23059432-3	FLEX JOINT BLANKET	2
-4	23059432-4	ELBOW BLANKET 90°	5
-5	23059432-5	12" LATERAL and LONGITUDINAL STRAIGHT PIPE BLANKET	2
-6	23059432-6	6" LATERAL STRAIGHT PIPE BLANKET	1
-7	23059432-7	FLOOR PENETRATION FLANGE BLANKET	1

**HULLS 68 thru 78 AG9140 HF**

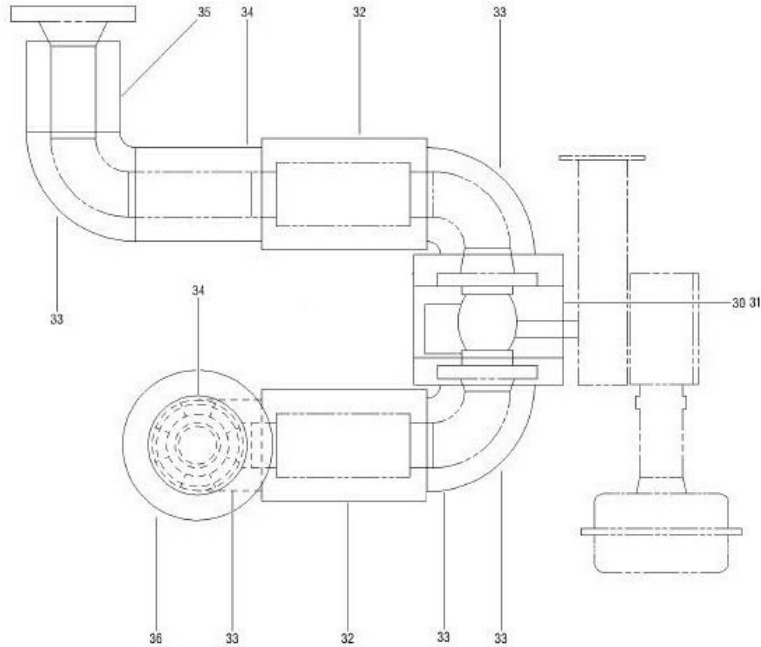


FIGURE 7-106 BLEED AIR SYSTEM ASSEMBLY and INSTALLATION

9140 RF OUTSIDE INSULATION BLANKETS			
Figure	Part number	Description	Qty
106-29	23059432	INSULATION SET	1
106-30/31	23059432-1	BLEED AIR BODY BLANKET/ BLEED AIR VALVE END CAP BLANKET (ONE PIECE)	1
106-32	23059432-3	FLEX JOINT BLANKET	2
106-33	23059432-4	ELBOW BLANKET 90°	5
106-34	23059432-5	12" LATERAL and LONGITUDINAL STRAIGHT PIPE BLANKET	2
106-35	23059432-6	6" LATERAL STRAIGHT PIPE BLANKET	1
106-36	23059432-7	FLOOR PENETRATION FLANGE BLANKET	1

**HULLS 79 and FOLLOW AG9140 RF**

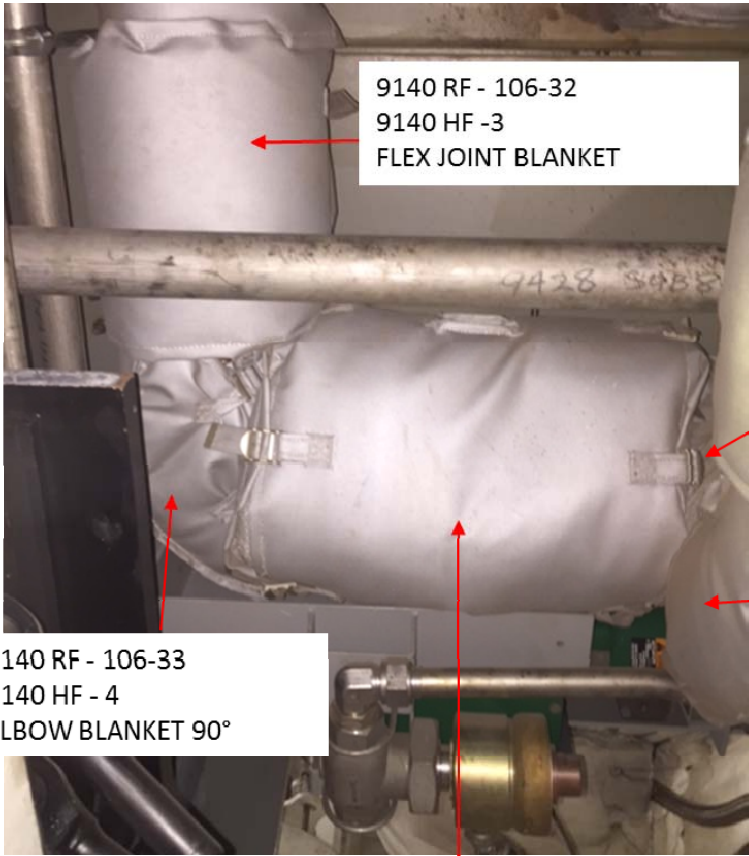


9140 RF - 106-36  
9140 HF - 7  
FLOOR PENETRATION FLANGE BLANKET

9140 RF - 106-34  
9140 HF - 6  
12" LATERAL STRAIGHT PIPE BLANKET

9140 RF - 106-33  
9140 HF - 4  
ELBOW BLANKET 90°

9140 RF - 106-34  
9140 HF - 5  
LONGITUDINAL STRAIGHT PIPE BLANKET



9140 RF - 106-32  
9140 HF -3  
FLEX JOINT BLANKET

9140 RF - 106-33  
9140 HF - 4  
ELBOW BLANKET 90°

9140 RF - 106-33  
9140 HF - 4  
ELBOW BLANKET 90°

9140 RF - 106-33  
9140 HF - 4  
ELBOW BLANKET 90°

9140 RF - 106-30/31  
9140 HF -1/2  
BLEED AIR BODY BLANKET



**9140 RF - 106-35**

**9140 HF - 6**

**6" LATERAL STRAIGHT PIPE BLANKET**

**9140 RF - 106-33**

**9140 HF - 4**

**ELBOW BLANKET 90°**

**9140 RF - 106-34**

**9140 HF - 5**

**LONGITUDINAL STRAIGHT PIPE BLANKET**