

## O-RINGS

- O-RINGS
- QUAD RINGS
- SQUARE CUT
- LATHE CUT
- BACK UP RINGS
- CUSTOM RINGS
- STANDARD SIZES
- METRIC SIZES
- CUSTOM SIZES
- CORD STOCK
- O-RING KITS
- MIL-SPEC



### MATERIALS

- BUNA-N®
- VITON®
- EPDM
- SILICONE
- PTFE
- PTFE ENCAPSULATED
- FLUROSILICONE
- NEOPRENE
- AFLAS®
- KALREZ®
- CHEMRAZ®



**LARGE INVENTORY**

## O-RING ELASTOMER DESCRIPTIONS AND PROPERTIES

SDSI uses varying rubber types. Selecting the right polymer base is important to each project. Our experienced staff works with you to determine what type of rubber works best for your application.



### **NITRILE (BUNA)**

Much better oil and solvent resistance compared to either natural rubber or Neoprene  
Recommended for most oil field applications. Can be formulated for use at low temperatures  
Good compression set and abrasion resistance, but poor weathering resistance Can be used with concentrated acids and alkalis but there are better alternatives  
Maximum continuous operating temperature is about -40° to 250°F

### **HNBR (HYDROGENATED NITRILE)**

Similar to Nitrile but with improvements in heat and ozone resistance Can be formulated for low temperature applications  
Excellent for oil field service Usually not recommended in applications with concentrated acids or alkalis  
Very high cost Maximum continuous operating temperature is about -40° to 325°F

### **EPDM**

Exceptional resistance to weathering and ozone Excellent resistance to water, most gases, steam, and heat aging  
Good for exposure to concentrated acids and alkalis, but not recommended for exposure to oils and solvents  
Maximum continuous operating temperature is about -65° to 325°F

### **FKM (VITON®)**

High cost, but high performance material Outstanding resistance to most chemicals, oils and solvents  
Good oxidation and ozone resistance  
Maximum continuous operating temperature is about -15° to 400°F. "Viton" is a trademark of DuPont and signifies material produced by DuPont

## **NEOPRENE (CHLOROPRENE)**

Good general purpose rubber with properties close to natural rubber, but is synthetically produced. Better resistance to oils and solvents compared to natural rubber but similar low compression set. Can be compounded for flame resistance. Good weathering resistance. Poorer low temperature performance compared to natural rubber. Not good in applications with concentrated acids or alkalis. Maximum continuous operating temperature is about -40° to 250°F.

## **PTFE**

White thermoplastic fluoroethylene resin offers a combination of qualities not found in any other material-chemical inertness, heat resistance, low friction, dielectric strength, weatherability, zero water absorption, toughness, and flexibility. Temperature range: -65° to +500°F.

## **SILICONE**

Recommended for applications requiring a wide temperature range and good dry heat resistance. Good weather and ozone resistance. Limited oil resistance. Not normally recommended for dynamic sealing applications due to relatively poor tensile and tear strength and relatively low abrasion resistance. Temperature range: -80° to + 450°F.

## **FLUROSILICONE**

Good low/high temperature resistance. Excellent resistance to petroleum oils and fuels. Used in aerospace applications for fuel systems and systems requiring resistance to diester base lubricants to 350°F. Due to limited strength and abrasion resistance, this material is generally recommended for static applications only. Temperature range: -80° to +350/400°F.

## **AFLAS®**

Similar to FKM, but with improved steam aging resistance. Lower overall temperature resistance. Very costly and seldom used except in very specific oil field applications. Maximum continuous operating temperature is about -20° to 450°F.

## **URETHANE (POLYURETHANE)**

Resistant to petroleum oils, hydrocarbon fuels, oxygen, ozone, and weathering. Particularly recommended for hydraulic systems where high pressures, shock loads, wide metal tolerances, or abrasive contamination is anticipated. Not recommended for acids, ketones, and chlorinated hydrocarbons. Some urethanes are also sensitive to water and humidity. Temperature range: -65° to +200°F.

## **PTFE ENCAPSULATED**

Seamless and uniform PTFE FEP encapsulation which completely encloses a core material of either silicone or Viton® elastomer. Matches the chemical and temperature resistance of solid PTFE O-Rings and possesses the elasticity and recovery properties which are crucial in many sealing applications. Temperature operating range -75°F to +400°F.



### ***SAN DIEGO SEAL, INC.***

7635 RONSON ROAD • SAN DIEGO, CALIFORNIA 92111

TEL: 858-278-3270 • FAX: 858-278-2950

E-MAIL: [sales@sandiegoseal.com](mailto:sales@sandiegoseal.com) • VISIT US AT: [www.sandiegoseal.com](http://www.sandiegoseal.com)





# SAN DIEGO SEAL, INC.

7635 RONSON ROAD - SAN DIEGO, CA 92111 - PH: 858-278-3270 - FAX: 858-278-2950

## 1" / 8" Nominal Cross Section

ACTUAL: .139 ±.004 in.  
3.53 ±0.10 mm

NOMINAL (in.)			ACTUAL I.D.				NOMINAL (in.)			ACTUAL I.D.			
SIZE	I.D.	O.D.	in.	±	mm	±	SIZE	I.D.	O.D.	in.	±	mm	±
-201	3/16	7/16	.171	.005	4.34	0.13	-243	4-1/8	4-3/8	4.109	.028	104.37	0.71
-202	1/4	1/2	.234	.005	5.94	0.13	-244	4-1/4	4-1/2	4.234	.030	107.54	0.76
-203	5/16	9/16	.296	.005	7.52	0.13	-245	4-3/8	4-5/8	4.359	.030	110.72	0.76
-204	3/8	5/8	.359	.005	9.12	0.13	-246	4-1/2	4-3/4	4.484	.030	113.89	0.76
-205	7/16	11/16	.421	.005	10.69	0.13	-247	4-5/8	4-7/8	4.609	.030	117.07	0.76
-206	1/2	3/4	.484	.005	12.29	0.13	-248	4-3/4	5	4.734	.030	120.24	0.76
-207	9/16	13/16	.546	.007	13.87	0.18	-249	4-7/8	5-1/8	4.859	.035	123.42	0.89
-208	5/8	7/8	.609	.009	15.47	0.23	-250	5	5-1/4	4.984	.035	126.59	0.89
-209	11/16	15/16	.671	.009	17.04	0.23	-251	5-1/8	5-3/8	5.109	.035	129.77	0.89
-210	3/4	1	.734	.010	18.64	0.25	-252	5-1/4	5-1/2	5.234	.035	132.94	0.89
-211	13/16	1-1/16	.796	.010	20.22	0.25	-253	5-3/8	5-5/8	5.359	.035	136.12	0.89
-212	7/8	1-1/8	.859	.010	21.82	0.25	-254	5-1/2	5-3/4	5.484	.035	139.29	0.89
-213	15/16	1-3/16	.921	.010	23.39	0.25	-255	5-5/8	5-7/8	5.609	.035	142.47	0.89
-214	1	1-1/4	.984	.010	24.99	0.25	-256	5-3/4	6	5.734	.035	145.64	0.89
-215	1-1/16	1-5/16	1.046	.010	26.57	0.25	-257	5-7/8	6-1/8	5.859	.035	148.82	0.89
-216	1-1/8	1-3/8	1.109	.012	28.17	0.30	-258	6	6-1/4	5.984	.035	151.99	0.89
-217	1-3/16	1-7/16	1.171	.012	29.74	0.30	-259	6-1/4	6-1/2	6.234	.040	158.34	1.02
-218	1-1/4	1-1/2	1.234	.012	31.34	0.30	-260	6-1/2	6-3/4	6.484	.040	164.69	1.02
-219	1-5/16	1-9/16	1.296	.012	32.92	0.30	-261	6-3/4	7	6.734	.040	171.04	1.02
-220	1-3/8	1-5/8	1.359	.012	34.52	0.30	-262	7	7-1/4	6.984	.040	177.39	1.02
-221	1-7/16	1-11/16	1.421	.012	36.09	0.30	-263	7-1/4	7-1/2	7.234	.045	183.74	1.14
-222	1-1/2	1-3/4	1.484	.015	37.69	0.38	-264	7-1/2	7-3/4	7.484	.045	190.09	1.14
-223	1-5/8	1-7/8	1.609	.015	40.87	0.38	-265	7-3/4	8	7.734	.045	196.44	1.14
-224	1-3/4	2	1.734	.015	44.04	0.38	-266	8	8-1/4	7.984	.045	202.79	1.14
-225	1-7/8	2-1/8	1.859	.018	47.22	0.46	-267	8-1/4	8-1/2	8.234	.050	209.14	1.27
-226	2	2-1/4	1.984	.018	50.39	0.46	-268	8-1/2	8-3/4	8.484	.050	215.49	1.27
-227	2-1/8	2-3/8	2.109	.018	53.57	0.46	-269	8-3/4	9	8.734	.050	221.84	1.27
-228	2-1/4	2-1/2	2.234	.020	56.74	0.51	-270	9	9-1/4	8.984	.050	228.19	1.27
-229	2-3/8	2-5/8	2.359	.020	59.92	0.51	-271	9-1/4	9-1/2	9.234	.055	234.54	1.40
-230	2-1/2	2-3/4	2.484	.020	63.09	0.51	-272	9-1/2	9-3/4	9.484	.055	240.89	1.40
-231	2-5/8	2-7/8	2.609	.020	66.27	0.51	-273	9-3/4	10	9.734	.055	247.24	1.40
-232	2-3/4	3	2.734	.024	69.44	0.61	-274	10	10-1/4	9.984	.055	253.59	1.40
-233	2-7/8	3-1/8	2.859	.024	72.62	0.61	-275	10-1/2	10-3/4	10.484	.055	266.29	1.40
-234	3	3-1/4	2.984	.024	75.79	0.61	-276	11	11-1/4	10.984	.065	278.99	1.65
-235	3-1/8	3-3/8	3.109	.024	78.97	0.61	-277	11-1/2	11-3/4	11.484	.065	291.69	1.65
-236	3-1/4	3-1/2	3.234	.024	82.14	0.61	-278	12	12-1/4	11.984	.065	304.39	1.65
-237	3-3/8	3-5/8	3.359	.024	85.32	0.61	-279	13	13-1/4	12.984	.065	329.79	1.65
-238	3-1/2	3-3/4	3.484	.024	88.49	0.61	-280	14	14-1/4	13.984	.065	355.19	1.65
-239	3-5/8	3-7/8	3.609	.028	91.67	0.71	-281	15	15-1/4	14.984	.065	380.59	1.65
-240	3-3/4	4	3.734	.028	94.84	0.71	-282	16	16-1/4	15.955	.075	405.26	1.91
-241	3-7/8	4-1/8	3.859	.028	98.02	0.71	-283	17	17-1/4	16.955	.080	430.66	2.03
-242	4	4-1/4	3.984	.028	101.19	0.71	-284	18	18-1/4	17.955	.085	456.06	2.16



# SAN DIEGO SEAL, INC.

7635 RONSON ROAD - SAN DIEGO, CA 92111 - PH: 858-278-3270 - FAX: 858-278-2950

## 3" Nominal Cross Section

ACTUAL: .210 ±.005 in.  
5.33 ±0.13 mm

NOMINAL (in.)			ACTUAL I.D.				NOMINAL (in.)			ACTUAL I.D.			
SIZE	I.D.	O.D.	in.	±	mm	±	SIZE	I.D.	O.D.	in.	±	mm	±
-309	7/16	13/16	.412	.005	10.46	0.13	-351	4-3/4	5-1/8	4.725	.030	120.02	0.76
-310	1/2	7/8	.475	.005	12.07	0.13	-352	4-7/8	5-1/4	4.850	.030	123.19	0.76
-311	9/16	15/16	.537	.007	13.64	0.18	-353	5	5-3/8	4.975	.037	126.37	0.94
-312	5/8	1	.600	.009	15.24	0.23	-354	5-1/8	5-1/2	5.100	.037	129.54	0.94
-313	11/16	1-1/16	.662	.009	16.81	0.23	-355	5-1/4	5-5/8	5.225	.037	132.72	0.94
-314	3/4	1-1/8	.725	.010	18.42	0.25	-356	5-3/8	5-3/4	5.350	.037	135.89	0.94
-315	13/16	1-3/16	.787	.010	19.99	0.25	-357	5-1/2	5-7/8	5.475	.037	139.07	0.94
-316	7/8	1-1/4	.850	.010	21.59	0.25	-358	5-5/8	6	5.600	.037	142.24	0.94
-317	15/16	1-5/16	.912	.010	23.16	0.25	-359	5-3/4	6-1/8	5.725	.037	145.42	0.94
-318	1	1-3/8	.975	.010	24.77	0.25	-360	5-7/8	6-1/4	5.850	.037	148.59	0.94
-319	1-1/16	1-7/16	1.037	.010	26.34	0.25	-361	6	6-3/8	5.975	.037	151.77	0.94
-320	1-1/8	1-1/2	1.100	.012	27.94	0.30	-362	6-1/4	6-5/8	6.225	.040	158.12	1.02
-321	1-3/16	1-9/16	1.162	.012	29.51	0.30	-363	6-1/2	6-7/8	6.475	.040	164.47	1.02
-322	1-1/4	1-5/8	1.225	.012	31.12	0.30	-364	6-3/4	7-1/8	6.725	.040	170.82	1.02
-323	1-5/16	1-11/16	1.287	.012	32.69	0.30	-365	7	7-3/8	6.975	.040	177.17	1.02
-324	1-3/8	1-3/4	1.350	.012	34.29	0.30	-366	7-1/4	7-5/8	7.225	.045	183.52	1.14
-325	1-1/2	1-7/8	1.475	.015	37.47	0.38	-367	7-1/2	7-7/8	7.475	.045	189.87	1.14
-326	1-5/8	2	1.600	.015	40.64	0.38	-368	7-3/4	8-1/8	7.725	.045	196.22	1.14
-327	1-3/4	2-1/8	1.725	.015	43.82	0.38	-369	8	8-3/8	7.975	.045	202.57	1.14
-328	1-7/8	2-1/4	1.850	.015	46.99	0.38	-370	8-1/4	8-5/8	8.225	.050	208.92	1.27
-329	2	2-3/8	1.975	.018	50.17	0.46	-371	8-1/2	8-7/8	8.475	.050	215.27	1.27
-330	2-1/8	2-1/2	2.100	.018	53.34	0.46	-372	8-3/4	9-1/8	8.725	.050	221.62	1.27
-331	2-1/4	2-5/8	2.225	.018	56.52	0.46	-373	9	9-3/8	8.975	.050	227.97	1.27
-332	2-3/8	2-3/4	2.350	.018	59.69	0.46	-374	9-1/4	9-5/8	9.225	.055	234.32	1.40
-333	2-1/2	2-7/8	2.475	.020	62.87	0.51	-375	9-1/2	9-7/8	9.475	.055	240.67	1.40
-334	2-5/8	3	2.600	.020	66.04	0.51	-376	9-3/4	10-1/8	9.725	.055	247.02	1.40
-335	2-3/4	3-1/8	2.725	.020	69.22	0.51	-377	10	10-3/8	9.975	.055	253.37	1.40
-336	2-7/8	3-1/4	2.850	.020	72.39	0.51	-378	10-1/2	10-7/8	10.475	.060	266.07	1.52
-337	3	3-3/8	2.975	.024	75.57	0.61	-379	11	11-3/8	10.975	.060	278.77	1.52
-338	3-1/8	3-1/2	3.100	.024	78.74	0.61	-380	11-1/2	11-7/8	11.475	.065	291.47	1.65
-339	3-1/4	3-5/8	3.225	.024	81.92	0.61	-381	12	12-3/8	11.975	.065	304.17	1.65
-340	3-3/8	3-3/4	3.350	.024	85.09	0.61	-382	13	13-3/8	12.975	.065	329.57	1.65
-341	3-1/2	3-7/8	3.475	.024	88.27	0.61	-383	14	14-3/8	13.975	.070	354.97	1.78
-342	3-5/8	4	3.600	.028	91.44	0.71	-384	15	15-3/8	14.975	.070	380.37	1.78
-343	3-3/4	4-1/8	3.725	.028	94.62	0.71	-385	16	16-3/8	15.955	.075	405.26	1.91
-344	3-7/8	4-1/4	3.850	.028	97.79	0.71	-386	17	17-3/8	16.955	.080	430.66	2.03
-345	4	4-3/8	3.975	.028	100.97	0.71	-387	18	18-3/8	17.955	.085	456.06	2.16
-346	4-1/8	4-1/2	4.100	.028	104.14	0.71	-388	19	19-3/8	18.955	.090	481.46	2.29
-347	4-1/4	4-5/8	4.225	.030	107.32	0.76	-389	20	20-3/8	19.955	.095	506.86	2.41
-348	4-3/8	4-3/4	4.350	.030	110.49	0.76	-390	21	21-3/8	20.955	.095	532.26	2.41
-349	4-1/2	4-7/8	4.475	.030	113.67	0.76	-391	22	22-3/8	21.955	.100	557.66	2.54
-350	4-5/8	5	4.600	.030	116.84	0.76	-392	23	23-3/8	22.940	.105	582.68	2.67
							-393	24	24-3/8	23.940	.110	608.08	2.79
							-394	25	25-3/8	24.940	.115	633.48	2.92
							-395	26	26-3/8	25.940	.120	658.88	3.05



# SAN DIEGO SEAL, INC.

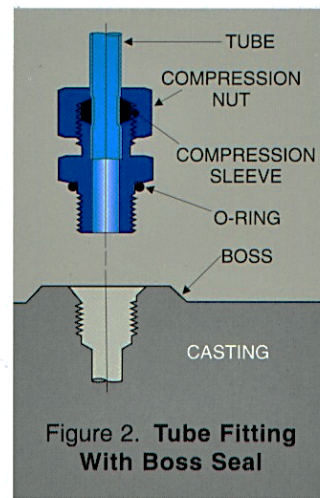
7635 RONSON ROAD - SAN DIEGO, CA 92111 - PH: 858-278-3270 - FAX: 858-278-2950

1" Nominal Cross Section							
ACTUAL: .275 ±.006 in. 6.99 ±0.15 mm							
SIZE	NOMINAL (in.)		ACTUAL I.D.				
	I.D.	O.D.	in.	±	mm	±	
-425	4-1/2	5	4.475	.033	113.67	0.84	
-426	4-5/8	5-1/8	4.600	.033	116.84	0.84	
-427	4-3/4	5-1/4	4.725	.033	120.02	0.84	
-428	4-7/8	5-3/8	4.850	.033	123.19	0.84	
-429	5	5-1/2	4.975	.037	126.37	0.94	
-430	5-1/8	5-5/8	5.100	.037	129.54	0.94	
-431	5-1/4	5-3/4	5.225	.037	132.72	0.94	
-432	5-3/8	5-7/8	5.350	.037	135.89	0.94	
-433	5-1/2	6	5.475	.037	139.07	0.94	
-434	5-5/8	6-1/8	5.600	.037	142.24	0.94	
-435	5-3/4	6-1/4	5.725	.037	145.42	0.94	
-436	5-7/8	6-3/8	5.850	.037	148.59	0.94	
-437	6	6-1/2	5.975	.037	151.77	0.94	
-438	6-1/4	6-3/4	6.225	.040	158.12	1.02	
-439	6-1/2	7	6.475	.040	164.47	1.02	
-440	6-3/4	7-1/4	6.725	.040	170.82	1.02	
-441	7	7-1/2	6.975	.040	177.17	1.02	
-442	7-1/4	7-3/4	7.225	.045	183.52	1.14	
-443	7-1/2	8	7.475	.045	189.87	1.14	
-444	7-3/4	8-1/4	7.725	.045	196.22	1.14	
-445	8	8-1/2	7.975	.045	202.57	1.14	
-446	8-1/2	9	8.475	.055	215.27	1.40	
-447	9	9-1/2	8.975	.055	227.97	1.40	
-448	9-1/2	10	9.475	.055	240.67	1.40	
-449	10	10-1/2	9.975	.055	253.37	1.40	
-450	10-1/2	11	10.475	.060	266.07	1.52	
-451	11	11-1/2	10.975	.060	278.77	1.52	
-452	11-1/2	12	11.475	.060	291.47	1.52	
-453	12	12-1/2	11.975	.060	304.17	1.52	
-454	12-1/2	13	12.475	.060	316.87	1.52	
-455	13	13-1/2	12.975	.060	329.57	1.52	
-456	13-1/2	14	13.475	.070	342.27	1.78	
-457	14	14-1/2	13.975	.070	354.97	1.78	
-458	14-1/2	15	14.475	.070	367.67	1.78	
-459	15	15-1/2	14.975	.070	380.37	1.78	
-460	15-1/2	16	15.475	.070	393.07	1.78	
-461	16	16-1/2	15.955	.075	405.26	1.91	
-462	16-1/2	17	16.455	.075	417.96	1.91	
-463	17	17-1/2	16.955	.080	430.66	2.03	
-464	17-1/2	18	17.455	.085	443.36	2.16	
-465	18	18-1/2	17.955	.085	456.06	2.16	
-466	18-1/2	19	18.455	.085	468.76	2.16	
-467	19	19-1/2	18.955	.090	481.46	2.29	
-468	19-1/2	20	19.455	.090	494.16	2.29	
-469	20	20-1/2	19.955	.095	506.86	2.41	
-470	21	21-1/2	20.955	.095	532.26	2.41	
-471	22	22-1/2	21.955	.100	557.66	2.54	
-472	23	23-1/2	22.940	.105	582.68	2.67	
-473	24	24-1/2	23.940	.110	608.08	2.79	
-474	25	25-1/2	24.940	.115	633.48	2.92	
-475	26	26-1/2	25.940	.120	658.88	3.05	

## Boss Seals

O-rings used for sealing straight thread tube fittings on a boss.

The standard sizes for O-rings include 20 sizes used to seal straight-thread tube fittings on a boss. A boss is a cylindrical projection on a casting or forging. The end of that projection is machined to provide a flat, smooth surface for sealing. Straight threads used with an O-ring provide a better seal than tapered threads used alone.



The 900 series of dash numbers identifies the 20 sizes of boss seals. Except for size -901, the digits after the 9 identify the nominal tube size in 16ths of an inch. The tube size is its outside diameter (OD). For example, size -903 is intended

for use with 3/16-inch tube. The one exception, size -901, is intended for use with 3/32-inch tube. 1/16-inch tube is not common in aircraft use.

TUBE SIZE	O.D.(in.)	ACTUAL (in.)				ACTUAL (mm)			
		I.D.	±	C.S.	±	I.D.	±	C.S.	±
-901	3/32	.185	.005	.056	.003	4.70	0.13	1.42	0.08
-902	1/8	.239	.005	.064	.003	6.07	0.13	1.63	0.08
-903	3/16	.301	.005	.064	.003	7.65	0.13	1.63	0.08
-904	1/4	.351	.005	.072	.003	8.92	0.13	1.83	0.08
-905	5/16	.414	.005	.072	.003	10.52	0.13	1.83	0.08
-906	3/8	.468	.005	.078	.003	11.89	0.13	1.98	0.08
-907	7/16	.530	.007	.082	.003	13.46	0.18	2.08	0.08
-908	1/2	.644	.009	.087	.003	16.36	0.23	2.21	0.08
-909	9/16	.706	.009	.097	.003	17.93	0.23	2.46	0.08
-910	5/8	.755	.009	.097	.003	19.18	0.23	2.46	0.08
-911	11/16	.863	.009	.116	.004	21.92	0.23	2.95	0.10
-912	3/4	.924	.009	.116	.004	23.47	0.23	2.95	0.10
-913	13/16	.986	.010	.116	.004	25.04	0.26	2.95	0.10
-914	7/8	1.047	.010	.116	.004	26.59	0.26	2.95	0.10
-916	1	1.171	.010	.116	.004	29.74	0.26	2.95	0.10
-918	1-1/8	1.355	.012	.116	.004	34.42	0.30	2.95	0.10
-920	1-1/4	1.475	.014	.118	.004	37.47	0.36	3.00	0.10
-924	1-1/2	1.720	.014	.118	.004	43.69	0.36	3.00	0.10
-928	1-3/4	2.090	.018	.118	.004	53.09	0.46	3.00	0.10
-932	2	2.337	.018	.118	.004	59.36	0.46	3.00	0.10



## O-RING KITS

Kits are ready to use in compact, self-contained, cases. The most popular standard and metric sizes are available in several different compounds. The charts below indicate available configurations.



STANDARD KITS				METRIC KITS			
SIZE	NUMBER OF PIECES			EUROPEAN ASSORTMENT		JAPANESE ASSORTMENT	
	TYPE B* (382 Total)	TYPE A** (380 Total)	CONTOURED BACK-UP RINGS *** (756 TOTAL)	SIZE	NO. OF PIECES (385 Total)	SIZE	NO. OF PIECES (396 Total)
006	20	16	26	2.00 x 3.00	16	1.90 x 2.80	20
007	20	16	26	2.00 x 4.00	16	1.90 x 3.80	20
008	20	16	26	2.00 x 5.00	16	1.90 x 4.80	18
009	20	16	26	2.00 x 6.00	16	1.90 x 5.80	18
010	20	16	26	2.00 x 7.00	16	1.90 x 6.80	18
011	20	16	26	2.00 x 8.00	16	1.90 x 7.80	18
012	20	16	26	2.00 x 10.00	16	1.90 x 8.80	18
110	13	16	26	2.50 x 10.00	13	2.40 x 9.80	14
111	13	16	26	2.50 x 11.00	13	2.40 x 10.80	14
112	13	16	26	2.50 x 12.00	13	2.40 x 11.80	14
113	13	16	26	2.50 x 14.00	13	2.40 x 13.80	14
114	13	16	26	2.50 x 16.00	13	2.40 x 15.80	14
115	13	16	26	2.50 x 17.00	13	2.40 x 17.80	14
116	13	16	26	2.50 x 19.00	13	2.40 x 19.80	13
210	10	12	26	3.00 x 19.00	11	3.00 x 20.00	11
211	10	12	26	3.00 x 20.00	12	3.00 x 22.00	12
212	10	12	26	3.00 x 22.00	12	3.10 x 24.40	12
213	10	12	26	3.00 x 24.00	12	3.10 x 29.40	11
214	10	12	26	3.00 x 25.00	12	3.10 x 34.40	11
215	10	12	26	3.00 x 27.00	12	3.10 x 39.40	11
216	10	12	26	3.00 x 28.00	12	3.10 x 44.40	11
217	10	12	26	3.00 x 30.00	12	3.50 x 22.10	10
218	10	12	26	3.00 x 32.00	12	3.50 x 24.70	10
219	10	12	26	3.00 x 33.00	12	3.50 x 25.70	10
220	10	7	26	3.00 x 35.00	12	3.50 x 29.70	10
221	10	7	26	3.00 x 36.00	12	3.50 x 31.70	10
222	10	7	26	3.00 x 38.00	12	3.50 x 33.70	10
325	7	5	18	4.00 x 38.00	9	3.50 x 35.70	10
326	7	5	18	4.00 x 41.00	9	3.50 x 39.70	10
327	7	5	18	4.00 x 44.00	9	3.50 x 47.70	10

### TYPE B\* STANDARD KITS

<b>H70K</b>	Nitrile (Buna-N)	70 Durometer
<b>H90K</b>	Nitrile (Buna-N)	90 Durometer
<b>V70K</b>	Viton® (Black)	75 Durometer
<b>VB75K</b>	Viton® (Brown)	75 Durometer
<b>V90K</b>	Viton® (Black)	90 Durometer
<b>VB90K</b>	Viton® (Brown)	90 Durometer
<b>S70K</b>	Silicone	70 Durometer
<b>A80K</b>	Aflas®	80 Durometer

### METRIC KITS

European Kits - <b>M70K</b>	Metric Nitrile (Buna-n)	70 Durometer
<b>MV75K</b>	Metric Viton® (Black)	75 Durometer
Japanese Kits - <b>M70KJ</b>	Metric Nitrile (Buna-n)	70 Durometer
<b>MV75KJ</b>	Metric Viton® (Black)	75 Durometer

**Type A\*\* Kit** – TFEK PTFE BACK-UP RINGS

Contoured Back-up Rings\*\*\* - **HB90K** Nitrile (Buna-N) 90 Durometer



BOSS KITS			
20 SIZES		12 SIZES	
SIZE	NO. OF PIECES (212 TOTAL)	SIZE	NO. OF PIECES (240 TOTAL)
901	10	901	-
902	10	902	25
903	10	903	25
904	10	904	25
905	12	905	25
906	12	906	25
907	12	907	-
908	12	908	20
909	12	909	-
910	12	910	20
911	10	911	-
912	10	912	15
913	10	913	-
914	10	914	15
916	10	916	15
918	10	918	-
920	10	920	15
924	10	924	15
928	10	928	-
932	10	932	-



HYDRAULIC FITTING KIT	
SIZE	NO. OF PIECES (620 TOTAL)
011	30
012	30
014	30
016	30
018	30
021	30
025	30
029	30
210	20
214	20
219	20
222	20
225	10
228	10
232	10
904	30
905	30
906	30
908	30
910	30
912	30
914	30
916	30
920	10
924	10
932	10

**BOSS KITS - 20 SIZES**

**H90KBOSS** – Nitrile (Buna-N) 90 Durometer  
**VB90KBOSS** – Viton® 90 Durometer

**BOSS KITS - 12 SIZES**

**H90KBOSS12** – Nitrile (Buna-N) 90 Durometer  
**VB90KBOSS12** – Viton® 90 Durometer

**HYDRAULIC FITTING KIT**

**H90KHYDKIT** – Nitrile (Buna-N) 90 Durometer  
**VB90KHYDKIT** – Viton® 90 Durometer



**SAN DIEGO SEAL, INC.**

7635 RONSON ROAD • SAN DIEGO, CALIFORNIA 92111

TEL: 858-278-3270 • FAX: 858-278-2950

E-MAIL: [sales@sandiegoseal.com](mailto:sales@sandiegoseal.com) • VISIT US AT: [www.sandiegoseal.com](http://www.sandiegoseal.com)

O-RING WAREHOUSE KIT							
STANDARD KITS				METRIC KITS			
SIZE	NO. OF PIECES (1326 Total)	SIZE	NO. OF PIECES	SIZE	NO. OF PIECES (1465 Total)	SIZE	NO. OF PIECES
006	50	211	15	1.50 X 5.00	50	2.50 X 25.00	10
007	50	212	15	1.50 X 6.00	50	3.00 X 9.00	10
008	50	213	15	1.50 X 7.00	50	3.00 X 12.00	10
009	50	214	15	1.50 X 8.00	50	3.00 X 14.00	10
010	50	215	15	1.50 X 9.00	50	3.00 X 15.00	10
011	50	216	10	1.50 X 10.00	50	3.00 X 16.00	10
012	50	217	10	1.50 X 12.00	50	3.00 X 18.00	10
013	50	218	10	1.50 X 14.00	50	3.00 X 19.00	10
014	50	219	10	2.00 X 4.00	50	3.00 X 20.00	10
015	30	220	10	2.00 X 5.00	50	3.00 X 22.00	10
016	30	221	10	2.00 X 6.00	50	3.00 X 24.00	10
017	30	222	10	2.00 X 7.00	50	3.00 X 25.00	10
018	30	223	10	2.00 X 8.00	50	3.00 X 27.00	10
019	30	224	10	2.00 X 9.00	50	3.00 X 28.00	10
020	30	320	6	2.00 X 10.00	50	3.00 X 30.00	10
021	25	321	6	2.00 X 11.00	50	3.00 X 32.00	10
022	25	322	6	2.00 X 12.00	50	3.00 X 33.00	10
023	25	323	6	2.00 X 13.00	25	3.00 X 34.00	10
024	25	324	6	2.00 X 14.00	25	3.00 X 35.00	10
025	25	325	6	2.00 X 15.00	25	3.00 X 36.00	10
110	30	326	6	2.00 X 16.00	25	3.00 X 38.00	10
111	30	327	6	2.00 X 17.00	25	3.00 X 44.00	10
112	30	328	6	2.00 X 18.00	25	3.00 X 45.00	10
113	30	329	6	2.00 X 20.00	10	3.00 X 54.00	10
114	30	330	6	2.00 X 22.00	10	4.00 X 38.00	10
115	30	425	3	2.00 X 30.00	10	4.00 X 41.00	10
116	15	426	3	2.00 X 40.00	10	4.00 X 44.00	10
117	15	427	3	2.50 X 10.00	25	<b>O-RING CORD</b>	
118	15	428	3	2.50 X 11.00	25	<b>DIAMETER      LENGTH</b>	
119	15	<b>O-RING CORD</b>		2.50 X 12.00	25	1.50 mm	1 meter
120	15	<b>DIAMETER</b>	<b>LENGTH</b>	2.50 X 13.00	10	2.00 mm	1 meter
121	15	0.070"	7'	2.50 X 14.00	10	2.50 mm	1 meter
122	15	0.103"	7'	2.50 X 15.00	10	3.00 mm	1 meter
123	15	0.139"	7'	2.50 X 16.00	10	3.50 mm	1 meter
124	15	0.210"	7'	2.50 X 17.00	10	4.00 mm	1 meter
210	15	0.275"	7'	2.50 X 18.00	10	5.00 mm	1 meter
				2.50 X 19.00	10	5.70 mm	1 meter
				2.50 X 22.00	10	8.40 mm	1 meter



**H70KW  
V70KW  
M70KW**

**NITRILE (BUNA-N)  
FLUOROELASTOMER (VITON®)  
METRIC NITRILE (BUNA-N)**

**70 DUROMETER  
75 DUROMETER  
70 DUROMETER**

\*Each kit is contained in a 38-drawer storage box with the o-rings and cord stock as listed above, plus two o-ring picks, razor blade, cutting and splicing jig, and rapid-set adhesive.